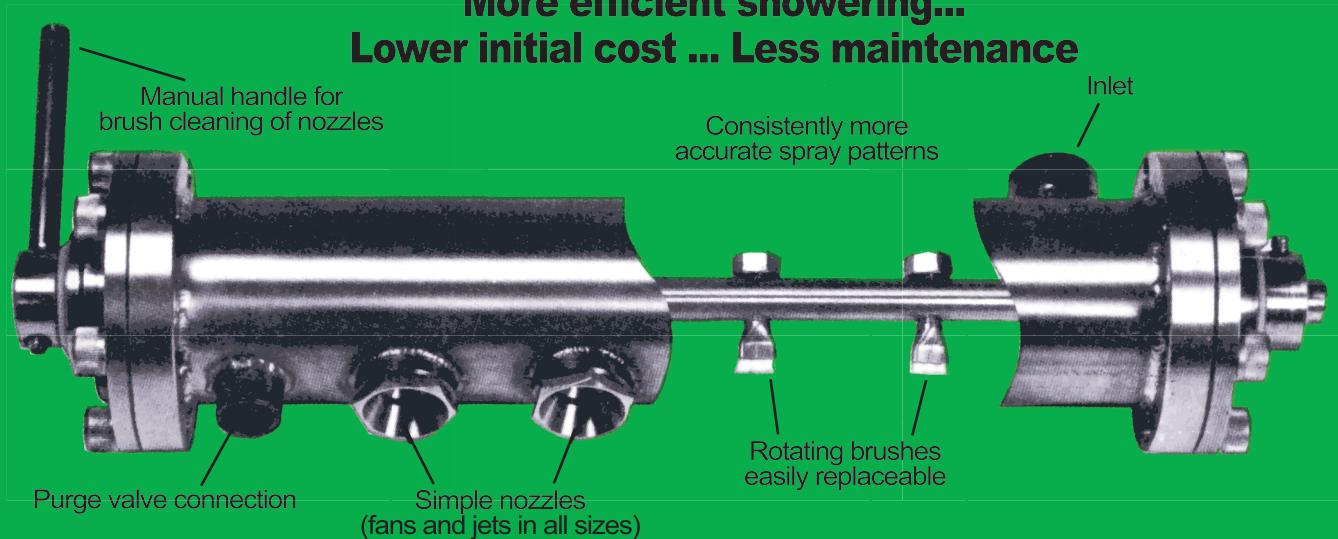


# White water brush showers

**More efficient showering...  
Lower initial cost ... Less maintenance**



## Stationary or Reciprocating White Water Showers

### P.S.I. Trouble-Free Nozzles



- No moving parts to jam or malfunction.
- Up to 9 times longer service life at 1/10 the cost of competitive nozzles.
- All parts precision machined to 316 S/S (no stampings).

Only seconds to brush all nozzles clean and purge contaminants to the drain.

- No contamination of the showered surface.
- No interruption of the shower function.

Purging requires minimum additional white water and can be accomplished either manually or completely automatically, timed to satisfy your specific white water conditions.

#### Other PSI Products:

Showers for all applications  
Electric Power Reciprocators  
Strainers & Filters  
Float Wash/Fractionators  
Flat Box Vacuum Controls  
Wire & Felt Guides

#### **SINCLAIR INTERNATIONAL, INC.**

85 Boulevard, Queensbury, NY 12804  
Phone: 518-747-2803 • 800-345-2023 • Fax: 518-798-3028  
E-mail: [sinpsi@sinclairinternational.com](mailto:sinpsi@sinclairinternational.com)  
[www.sinclairinternational.com](http://www.sinclairinternational.com)

With SINCLAIR showers, a change of water rate or pattern is accomplished by changing the type of nozzle disc insert.

These inexpensive inserts are easily changed by removal of the retaining nut. Under normal conditions SINCLAIR shower nozzles require little or no maintenance.

Nozzles for fresh and white water, needle and fan jets, special pattern jets are manufactured on automatic machinery and available from stock.



THE UNIVERSAL BASES designed either to be welded or screwed into position and accommodate any of the following nozzles.



NEEDLE JET Standard stock sizes are No.60 (.040"), 54 (.055"), 66 (.033"), 70 (.028"), 80 (.014"), A CERAMIC needle jet can also be supplied for use in difficult water conditions.



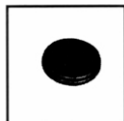
EZI-CLEEN. A No. 54 needle jet for use with clarified or fresh water. fibre or particle build-up may be removed by brushing the shower tube - internally.



ANGLE NEEDLE JETS either single or double NO. 60 orifice - effective penetration of multi-layer making fabrics and internal cleaning of dandy rolls.



CONE JET. Provides 'fog' spray coverage for chemical dispersion or foam 'killing'.



JENKS. This rubber fan jet nozzle - nominally 45 degree for use with 'white' water may be 'purged' clean with increased water pressure.



FAN JET. Sizes available No. 60 (.040") to 3/16" (.187") with fan angles of between 15° to 80°.



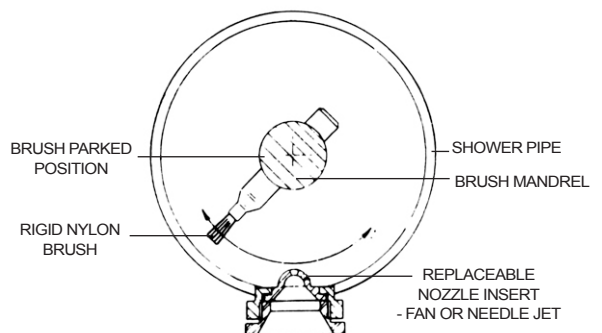
DERLIN TUBE. Used in conjunction with straight needle jets to form a stable water column, and direct water flow through the orifice - keeps needle jets 'sharp'.

## OTHER NOZZLES AVAILABLE

FLUSH FAN JET - For use with 'white' water, jet fits flush - both inside and outside of shower pipe wall - which permits easy removal of fibre build-up by internal brushing - sizes available .040" - .187" 15° - 90°.

MINI-JET Permits very close spacing of needle jets - standard size .040".

WHITE WATER NOZZLE. For use with brush showers -fan or needle jets - nozzles cleaned on the 'run'.



The Sinclair Brush Shower

ILLUSTRATIONS ARE NOT TO SCALE.